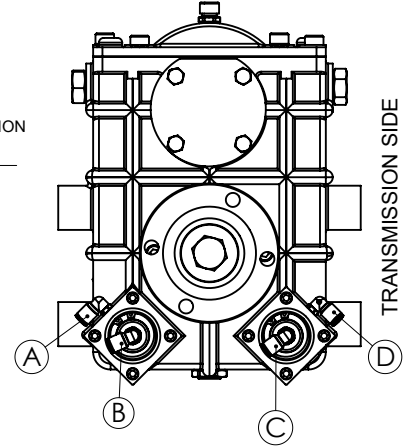
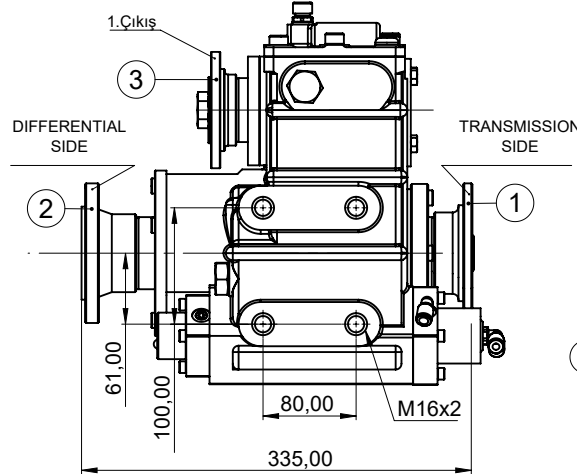
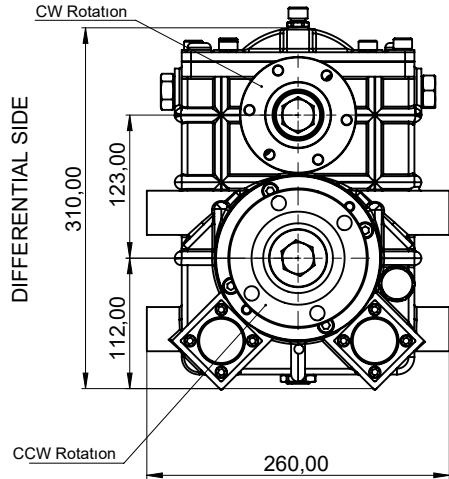
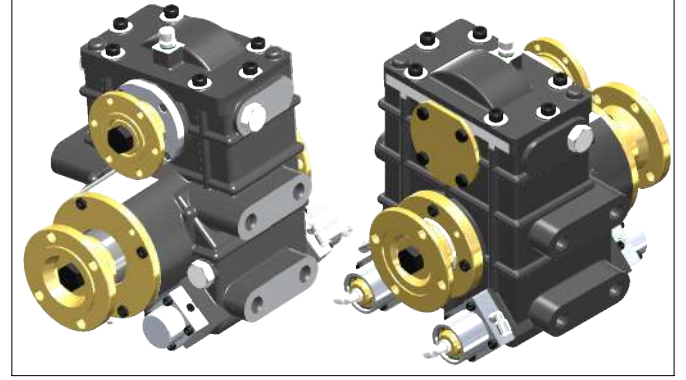
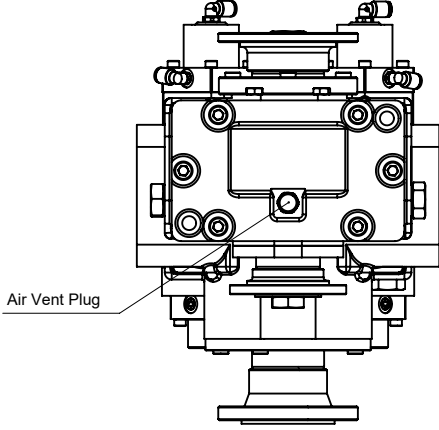


APPLICATION	LIGHT DUTY FIRE TRUCKS

CODE	<b>UARA.405.H</b>
DATE	01 / 30.03.2020

## PRODUCT VIEW



## OPTIONS

- 1 : Ana Giriş ; ISO 7647 - ISO 7646 - ISO 8667 Standard Flange  
2 : Ana Çıkış ; ISO 7647 - ISO 7646 - ISO 8667 Standard Flange  
3 : 1. Çıkış ; ISO 7647 - ISO 7646 - Standard Flange (Max.Ø100 mm)  
A : AIR INPUT (PTO OUTPUT ENGAGE)  
B : AIR INPUT (PTO OUTPUT DISENGAGE)  
C : AIR INPUT (MAIN DRIVE ENGAGE)  
D : AIR INPUT (MAIN DRIVE DISENGAGE)

## TECHNICAL DATA

OUTPUT	MAX. TORQUE & POWER	MAX. RPM	RATIO	MOUNTING TYPE	CONTROL TYPE
1 & 2	430 Kgm	-	1/1	SOLIT SHAFT	PNEUMATIC
3	85 Kw	2800-3600 RPM	1/1.44 1/1.3	<b>WEIGHT</b>	
				48	



**KOZANOĞLU  
KOZMAKSAN**

HYDRAULIC PUMPS & POWER TAKE-OFFS MANUFACTURING LIMITED CO.  
HİDROLİK POMPA ve ARA ŞANZİMAN PTO İMALAT SAN.İTİD.ŞTİ.

### Office

Tel. +90 312 354 05 39  
Fax +90 312 354 34 59  
7. Sokak No: 9  
Ostim / ANKARA  
e-mail: [info@kozmaksan.com.tr](mailto:info@kozmaksan.com.tr)

### Factory

Tel. +90 312 267 39 71  
Fax +90 312 267 38 72  
AOS. 1. OSB. Erkunt Cad. No: 6  
Sincan / ANKARA  
Website: [www.kozmaksan.com.tr](http://www.kozmaksan.com.tr)